



## Felt Ceiling Baffle 24MM



Simple. Fast. Clean. That's the power of the Felt Ceiling Baffle-24MM from Mode Acoustic. With a modern, single-thickness straight blade profile, this baffle brings minimalist design and maximum impact to any ceiling. Installation? Lightning quick. Sound? Silenced. Thanks to its high-performance acoustic core, there's no need for earplugs — just clean, quiet comfort. And with a Class A Fire Rating, safety is built in from the start. From launch to the finish line, the Felt Ceiling Baffle-24MM leaves ordinary solutions in the dust..

# Specifications

<b>Product Name</b>	Felt Ceiling Baffle 24MM
<b>Content</b>	100% Polyester (PET) with a minimum of 60% recycled content
<b>Thickness</b>	24mm
<b>Sizes</b>	47.5" x 23.5" or 95.5" x 11.5"
<b>Weight</b>	1.1 lbs per sq ft
<b>Edge Options</b>	Exposed felt
<b>Sound Performance</b>	ASTM C423-17: NRC = 0.80
<b>Fire Performance</b>	Product made from Class A PET felt material tested under ASTM-84
<b>Variations</b>	Mode Felt uses an industry standard felting process. Slight and consistent variations in color and "heathering" should be expected when using this sustainable material. Slight imperfections are within normal manufacturing tolerance and not visible in standard installations.
<b>Environmental</b>	Low VOC emissions, formaldehyde and phenol-free. Red List free.
<b>Maintenance</b>	Vacuum to remove any loose dirt or dust. You may use a soft or plastic bristle brush to loosen it. Avoid excess pressure. Compressed air can also be used to dust the material in difficult or large installations. If stains are present, you may saturate a lint-free cloth with a mild detergent or soap and water solution.
<b>Warranty</b>	10 years
<b>Unit of Sale</b>	Per unit

# Construction & Hardware

## Spacing

Baffles may be direct-connect or suspended. Connection points on baffle vary by length of baffle. The following is a guide.

Baffle Length	Distance
18–30"	12"
31–54"	24"
55–95.5"	48"

## Suspension

Cable gripper and 1/16" aircraft wire

Attached directly to the deck or ceiling infrastructure, aircraft cables can be arranged in any desired look and feel. The baffles have embedded cable grippers enabling them to be installed in seconds to any deck mounted 1/16" cable.

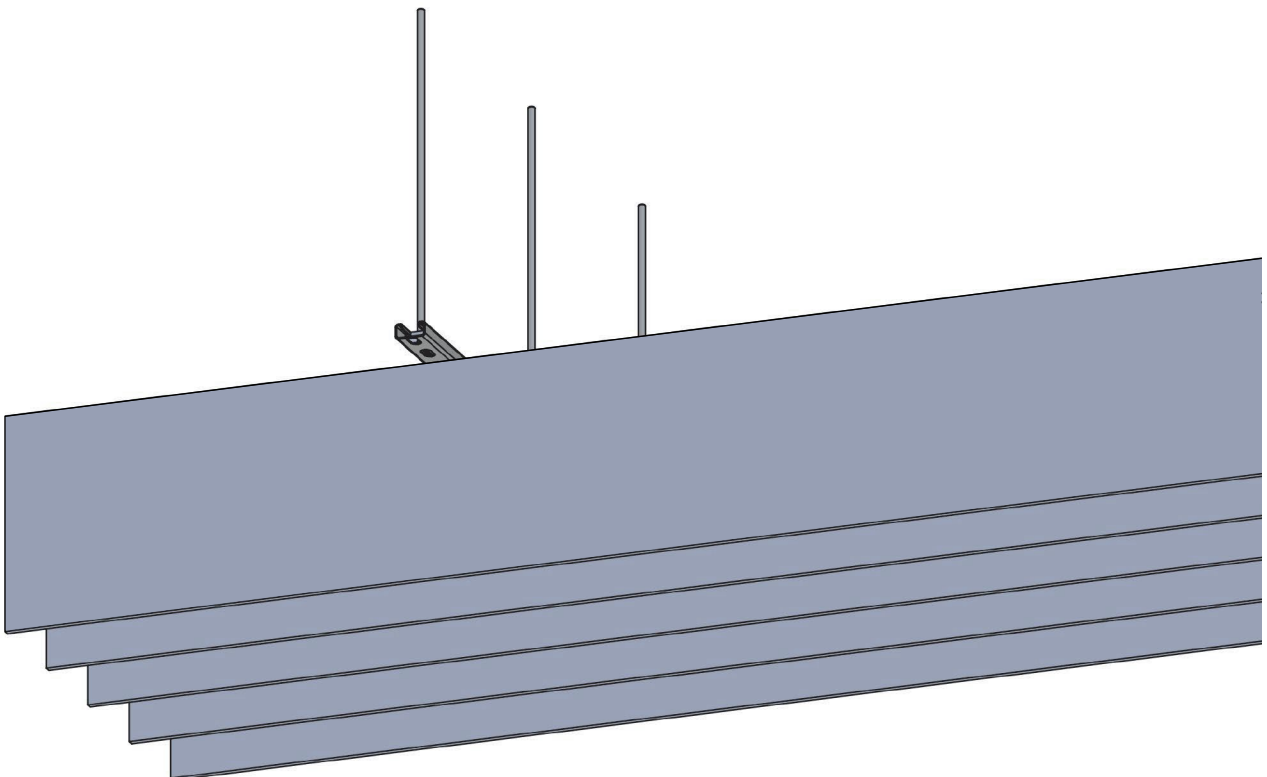
- Cable to deck
- Cable to unistrut
- Cable to ceiling T-grid

Ceiling-side hardware choice can be dependent on application. Sonus advisors can make recommendations based on construction and design intent.

## Direct

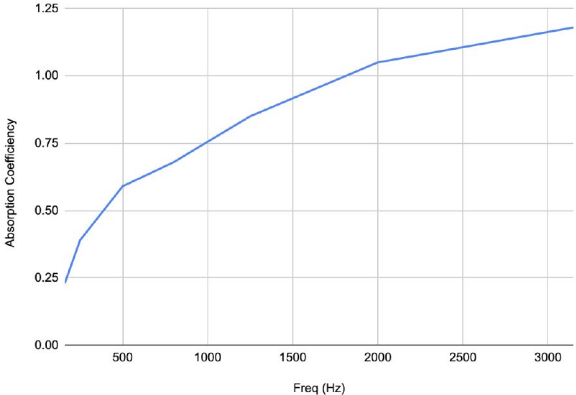
Stud to unistrut

Bolt directly to unistrut in seconds and enjoy a consistent and balanced installation — saving both time and money.



# Test Results

Absorption Coefficient vs. Freq (Hz)



Freq (Hz)	Absorption Coefficient
160	0.23
250	0.39
500	0.59
800	0.68
1250	0.85
2000	1.05
3150	1.18
<b>NRC</b>	<b>0.80</b>

The Noise Reduction Coefficient (NRC) is calculated as the arithmetic average of the absorption coefficients in the shaded bands only (250, 500, 1250 & 2000 Hz).

ASTM C 423-17: Type F610 Mounting using 10 units suspended to simulate a typical baffle installation in grid.



# Standard Colors

acoustic felt

## Mode Acoustic Felt Reference Card

To request a felt tip card or replacement swatches, please email: [hello@modeacoustic.com](mailto:hello@modeacoustic.com)

<b>FROST</b> mode-01	<b>SMOKE</b> mode-02	<b>SLATE</b> mode-03	<b>WHITE OAK</b> mode-oak	<b>SAND</b> mode-13	<b>TOAST</b> mode-14
<b>PEBBLE</b> mode-04	<b>ASH</b> mode-05	<b>GRAPHITE</b> mode-06	<b>BIRCH</b> mode-birch	<b>FLAME</b> mode-15	<b>SUNSET</b> mode-16
<b>DUSK</b> mode-07	<b>SLATE BLUE</b> mode-08	<b>GROVE</b> mode-09	<b>BARN WOOD</b> mode-barn	<b>HARVEST</b> mode-17	<b>MEADOW</b> mode-18
<b>ARCTIC</b> mode-10	<b>DEEP</b> mode-11	<b>INK</b> mode-12	<b>WALNUT</b> mode-walnut		

modeacoustic.com | 800.222.1028 | [hello@modeacoustic.com](mailto:hello@modeacoustic.com)

## Special Order

<b>SUNFLOWER</b>	<b>SWEET PEA</b>	<b>GREEN BEAN</b>	<b>70'S DARK WASH</b>	<b>80'S ACID WASH</b>	<b>90'S FADED</b>
<b>TANGERINE</b>	<b>CAPPUCCINO</b>	<b>LATTÉ</b>	<b>SALT &amp; PEP</b>	<b>MARBLE</b>	<b>SNOW</b>
<b>ESPRESSO</b>	<b>ENZO</b>	<b>CHARCOAL</b>	<b>SHADOW</b>		