



## Mode Acoustic Felt Ceiling Baffle-Tube

Specialty ceilings are rapidly becoming one of the most dynamic areas in interior design, offering new ways to blend style and function. Ceilings have also emerged as prime real estate for powerful acoustic solutions. Mode Acoustic is leading this evolution with a growing portfolio of innovative systems, integrations, and designs. Our Felt Ceiling Baffle-Tube raises the bar across the board — featuring a more organic and inviting design compared to standard flat panels, a durable aluminum structure, and high-performance internal materials for superior sound absorption. Even better, Mode Acoustic delivers best-in-class performance without the premium price tag.

- NRC value of .95–1.70
- Industry-first aluminum internal frame
- Multiple layouts, diameters, and lengths available

## Felt Ceiling Baffle-Tube

Length	48", 72", 96"
Diameter	Nominal 8"
Weight	2.4 lbs per linear foot
Tolerance	+/- 1/16"
Core	100% recycled polyester wrapped aluminum perforated cylinder baffles filled with a high sound absorption acoustic substrate core that features strong thermal properties
Mounting Type	Suspended
Mounting Hardware	Griplock® Cable Grippers and 1/16" aircraft cable *
Flammability	ASTM e84 Class A
NRC	.95-1.70

### Our Craftsmanship Guarantee is really simple:

If there is a craftsmanship defect detected, we will repair or replace the impacted product.

If the product was damaged during shipping and it was because of how we packaged it, we will repair or replace the impacted product.

The length of our guarantee is five (5) years provided you used a Certified PRO Installer; otherwise, it is a standard three (3) years.

### Lead Time

Standard Sizes and Coverings: 2-3 Weeks

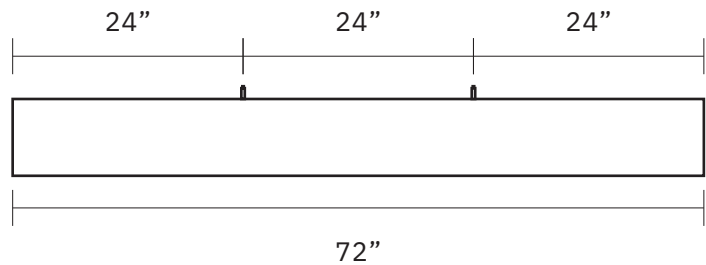
Custom Sizes and Coverings: 6-8 Weeks\*

\*any customer supplied coverings may require additional time for delivery and testing. Additionally, wood veneers require perforation. Anything not in stock requires an additional 4-6 weeks.

### Custom Shop

Need something unique? Want to co-create actionable solutions that improve the human experience? We believe, together, we can ideate, design, and build solutions that create unique experiences. Call us to discuss our Custom Shop program.

### Felt Ceiling Baffle-Tube



**Front View**

1:20 scale

Fabric Wrapped

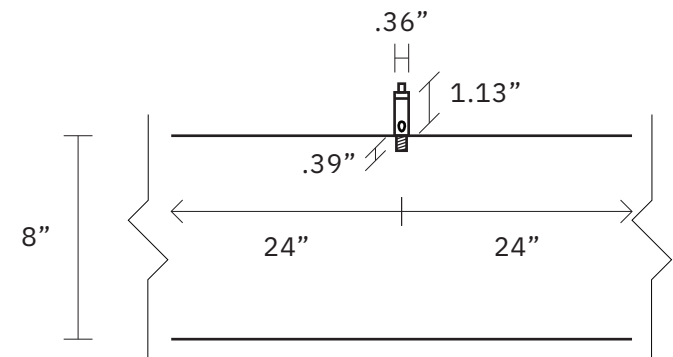
GripLock® 15Z-1420e-394-T2  
Cable Grippers Shown



**Side View**

1:20 scale

Fabric Wrapped



**Hardware Cross Section Detail View**

1:5 scale

Fabric Wrapped

GripLock® 15Z-1420e-394-T2  
Cable Grippers Shown

### Sound Absorption

Installation	Hz	125	250	500	1,000	2,000	4,000	NRC
24" On-center	α	.21	.58	.97	1.13	1.10	1.05	.95
12" On-center	α	.44	1.13	1.77	1.94	1.94	1.84	1.70

### Felt Ceiling Baffle-Tube



**Taupe**  
62-19



**Azure**  
62-08



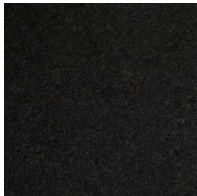
**Flagstone**  
62-12



**Teal**  
62-04



**Mocha**  
62-01



**Black**  
62-17

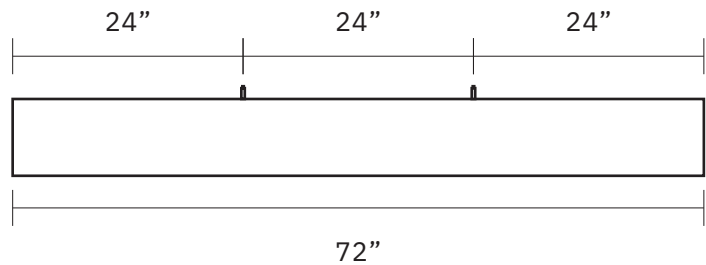


**12 Additional Premium Colors Available**  
Contact us for more info.

#### Features

- Fosshield® Antimicrobial Technology
- Solution dyed to resist sun & fading
- UL Classification
- 90% post-consumer content

### Felt Ceiling Baffle-Tube



**Front View**

1:20 scale

Fabric Wrapped

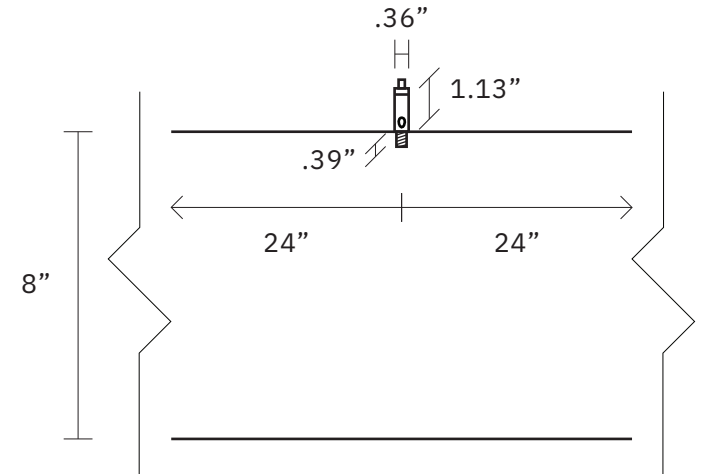
GripLock® 15Z-1420e-394-T2 Cable Grippers  
Shown



**Side View**

1:20 scale

Fabric Wrapped



**Hardware Cross Section Detail View**

1:5 scale

Fabric Wrapped

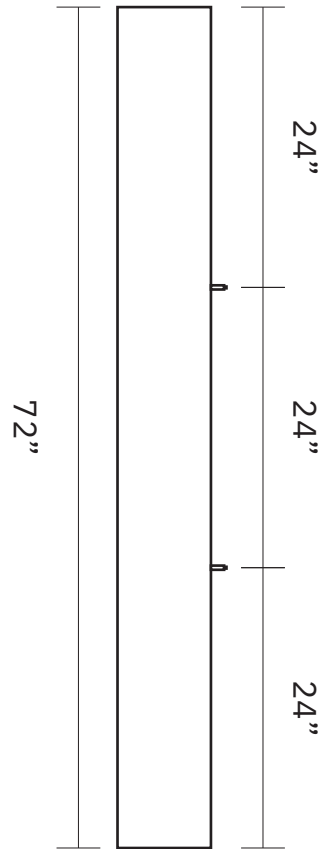
GripLock® 15Z-1420e-394-T2 Cable Grippers  
Shown

### Sound Absorption

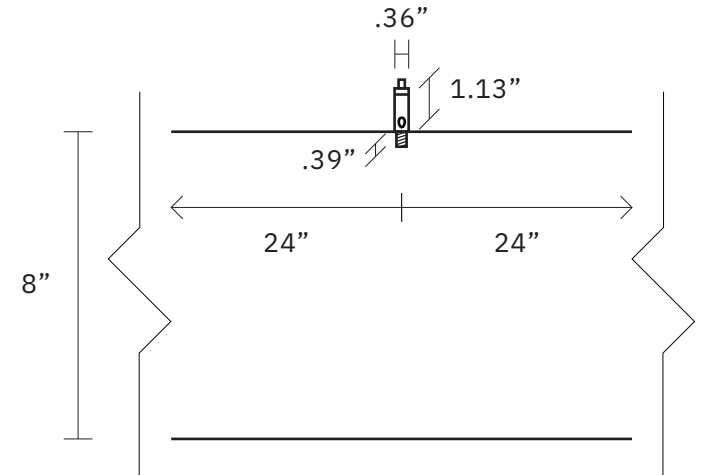
Installation	Hz	125	250	500	1,000	2,000	4,000	NRC
24" On-center	α	.21	.58	.97	1.13	1.10	1.05	.95
12" On-center	α	.44	1.13	1.77	1.94	1.94	1.84	1.70

**Felt Ceiling Baffle-Tube**

**Front View**  
 1:20 scale  
 Fabric Wrapped  
 GripLock  
 15Z-1420e-394-T2  
 Cable Grippers Shown



**Side View**  
 1:20 scale  
 Fabric Wrapped  
 GripLock  
 15Z-1420e-394-T2  
 Cable Grippers Shown



**Hardware Cross Section  
 Detail View**  
 1:5 scale  
 Fabric Wrapped  
 GripLock 15Z-1420e-394-T2  
 Cable Grippers Shown

**Sound Absorption**

Installation	Hz	125	250	500	1,000	2,000	4,000	NRC
24" On-center	α	.21	.58	.97	1.13	1.10	1.05	.95
12" On-center	α	.44	1.13	1.77	1.94	1.94	1.84	1.70