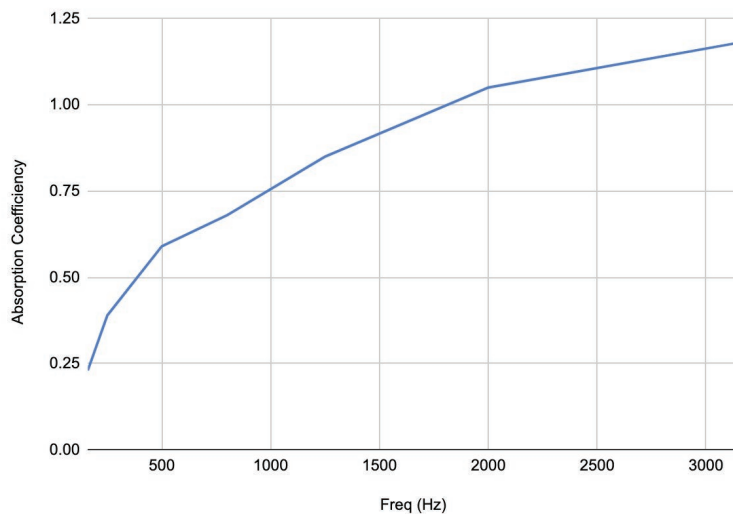


Felt Ceiling Baffle Truss



Our most simple felt baffles are hung on 8" to 12" centers to optimize the noise mitigation. Coming in a number of heights and lengths with simple hardware options, these can be used anywhere. For many, it's a more streamlined open look when compared to a traditional box baffle.

Absorption Coefficiency vs. Freq (Hz)



| Freq (Hz) | Absorption Coefficiency |
|-----------|-------------------------|
| 160 | 0.23 |
| 250 | 0.42 |
| 500 | 0.80 |
| 800 | 0.98 |
| 1250 | 0.93 |
| 2000 | 1.02 |
| 3150 | 1.18 |

ASTM C 423-17: Type J Mounting - using 4 baffle units suspended with aircraft wire. 12" oc to simulate a typical baffle installation.

Specifications

| | |
|-------------------|---|
| Product Name | Felt Ceiling Baffle Truss |
| Lead Times | Fast Ship: 4 weeks Standard: 10 weeks |
| Content | 100% Polyester (PET) with a minimum of 60% recycled content |
| Thickness | 9mm |
| Length | Standard: 47.5", 59.5", 71.5", 95.5" (Custom lengths available) |
| Width | 9mm |
| Height | Standard: 7.5", 11.5" (Custom heights available) |
| Weight | .34/lbs per sq ft |
| Edge Options | Exposed felt |
| Sound Performance | ASTM C423-17: NRC = 0.80 |
| Fire Performance | Product made from Class A PET felt material tested under ASTM E-84 |
| Variations | Mode Felt uses an industry standard felting process. Slight and consistent variations in color and "heathering" should be expected when using this sustainable material. Slight imperfections are within normal manufacturing tolerances and not visible in standard installations. |
| Environmental | Low VOC emissions, formaldehyde and phenol-free. Red List free. |
| Maintenance | Vacuum to remove any loose dirt or dust. You may use a soft or plastic bristle brush to loosen it. Avoid excess pressure. Compressed air can also be used to dust the material in difficult or large installations. If stains are present, you may saturate a lint-free cloth with a mild detergent or soap and water solution. |
| Warranty | 10 year warranty |
| Unit of Sale | Per baffle |

Connections

Spacing

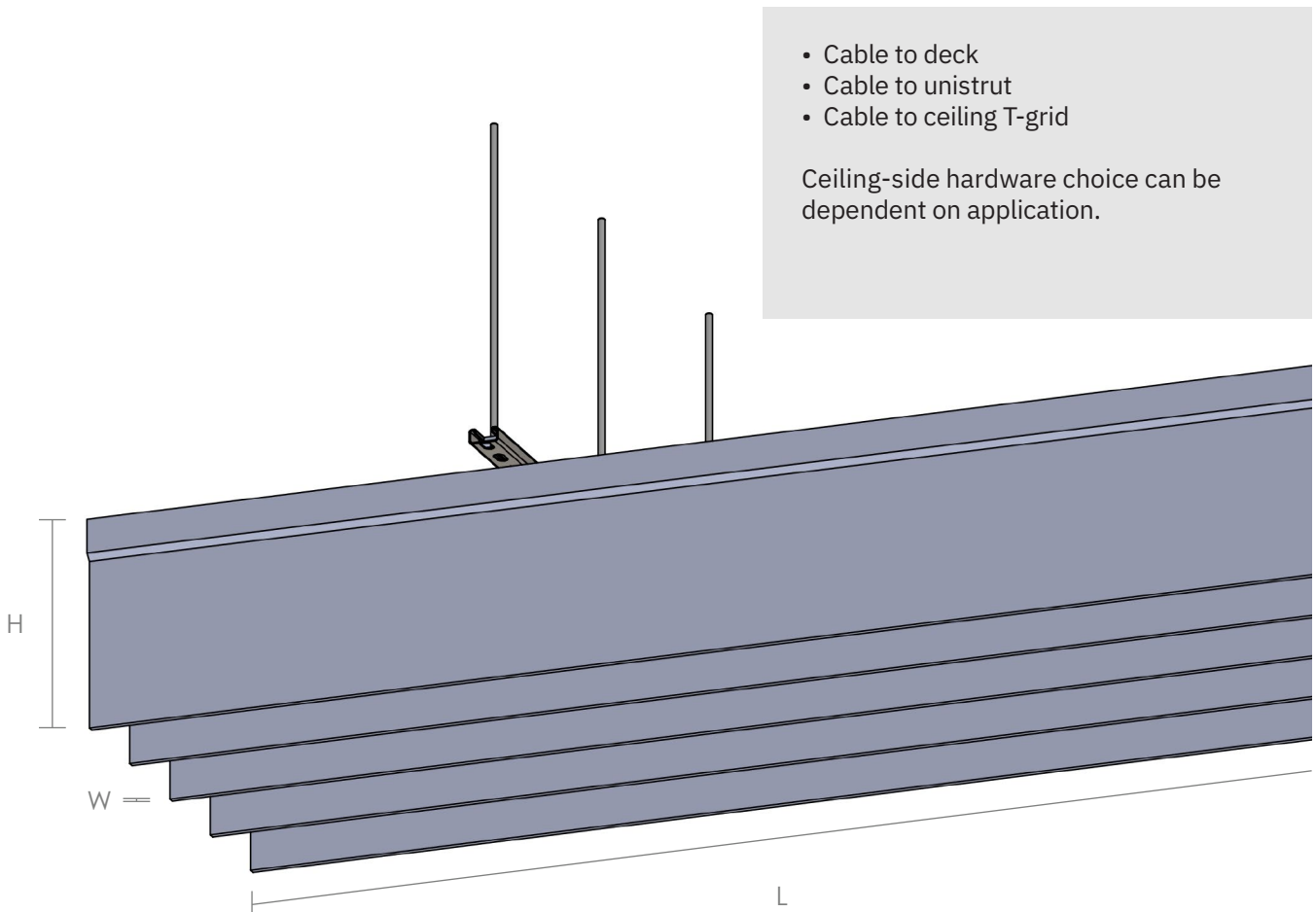
Baffles may be direct-connect or suspended. Connection points on baffle vary by length of baffle. The following is a guide.

| Baffle Length | Distance |
|---------------|----------|
| 18–30" | 12" |
| 31–54" | 24" |
| 55–95.5" | 48" |

Suspension

Cable gripper and 1/16" aircraft wire

Attached directly to the deck or ceiling infrastructure, aircraft cables can be arranged in any desired look and feel. The baffles have embedded cable grippers enabling them to be installed in seconds to any deck mounted 1/16" cable.



Direct

Stud to unistrut

Bolt directly to unistrut in seconds and enjoy a consistent and balanced installation — saving both time and money.

Standard Colors

acoustic felt

Mode Acoustic Felt Reference Card

To request a felt tip card or replacement swatches, please email: hello@modeacoustic.com

| | | | | | |
|--------------------------|------------------------------|----------------------------|-------------------------------|---|--------------------------|
| FROST mode-01 | SMOKE mode-02 | SLATE mode-03 | WHITE OAK mode-oak | SAND mode-13 | TOAST mode-14 |
| PEBBLE mode-04 | ASH mode-05 | GRAPHITE mode-06 | BIRCH mode-birch | FLAME mode-15 | SUNSET mode-16 |
| DUSK mode-07 | SLATE BLUE mode-08 | GROVE mode-09 | BARN WOOD mode-barn | HARVEST mode-17 | MEADOW mode-18 |
| ARCTIC mode-10 | DEEP mode-11 | INK mode-12 | WALNUT mode-walnut |  | |

modeacoustic.com | 800.222.1028 | hello@modeacoustic.com

Special Order

| | | | | | |
|------------------|-------------------|-------------------|-----------------------|-----------------------|-------------------|
| SUNFLOWER | SWEET PEA | GREEN BEAN | 70'S DARK WASH | 80'S ACID WASH | 90'S FADED |
| TANGERINE | CAPPUCCINO | LATTÉ | SALT & PEP | MARBLE | SNOW |
| ESPRESSO | ENZO | CHARCOAL | SHADOW | | |