

Felt Wall-Step Panel System



Bring multidimensional, reverb-crushing modern design to your walls with Felt Wall-Step. Measuring eight feet tall, the 36" wide sections contain hollow channels, or ribs, allowing for up to three colors. Felt is best when it has space to breathe. Felt Step attenuates noise as it enters into the ribs and then again once the frequencies are inside the chamber. Numbers don't lie: regular wall panels typically have an NRC rating of 0.60 or less, Felt Step though comes in at 1.05! Meaning you can use less square footage while gaining the aesthetic benefits.

Specifications

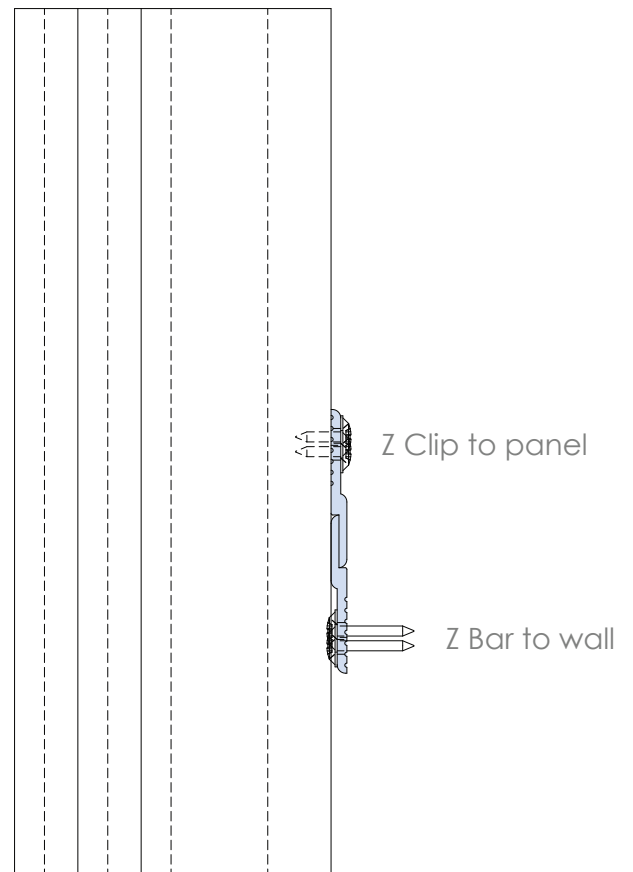
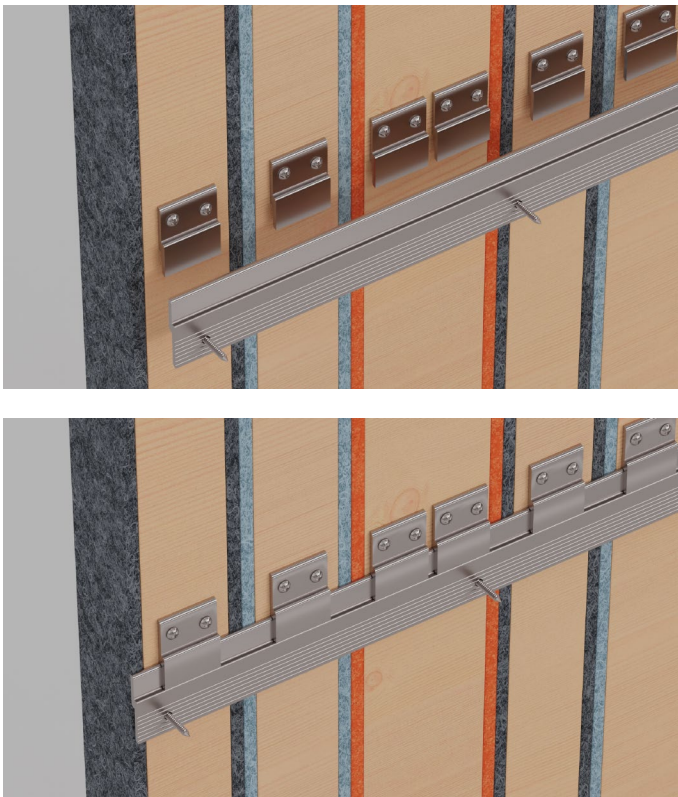
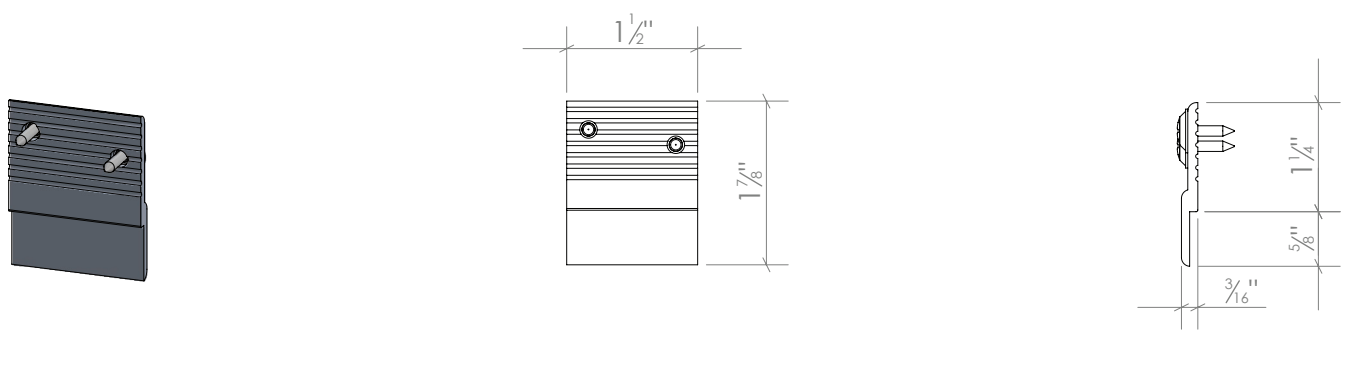
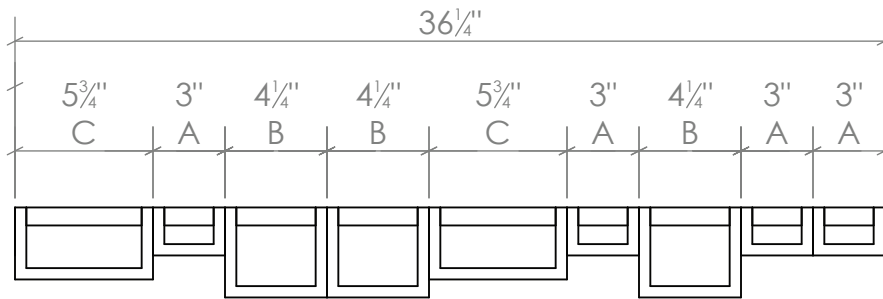
Product Name	Felt Wall-Step Panel System
Content	100% Polyester (PET) with a minimum of 60% recycled content
Thickness	12mm
Width	36.25"
Height	47.5", 59.5", 95.5"
Max Depth	3.75"
Weight	1.0 lbs per sq ft
Edge Options	Exposed felt
Sound Performance	ASTM C423-17: NRC = 1.05
Fire Performance	Product made from Class A PET felt material tested under ASTM-84

Mode Felt uses an industry standard felting process. Slight and consistent variations in color and "heathering" should be expected when using this sustainable material. Slight imperfections are within normal manufacturing tolerance and not visible in standard installations.

Environmental	Low VOC emissions, formaldehyde and phenol-free. Red List free.
Maintenance	Vacuum to remove any loose dirt or dust. You may use a soft or plastic bristle brush to loosen it. Avoid excess pressure. Compressed air can also be used to dust the material in difficult or large installations. If stains are present, you may saturate a lint-free cloth with a mild detergent or soap and water solution.
Warranty	10 years
Unit of Sale	Per section, minimum order quantity: 2

Construction & Hardware

Z Clip to Z Bar



Standard Colors

acoustic felt

Mode Acoustic Felt Reference Card

To request a felt tip card or replacement swatches, please email: hello@modeacoustic.com

FROST mode-01	SMOKE mode-02	SLATE mode-03	WHITE OAK mode-oak	SAND mode-13	TOAST mode-14
PEBBLE mode-04	ASH mode-05	GRAPHITE mode-06	BIRCH mode-birch	FLAME mode-15	SUNSET mode-16
DUSK mode-07	SLATE BLUE mode-08	GROVE mode-09	BARN WOOD mode-barn	HARVEST mode-17	MEADOW mode-18
ARCTIC mode-10	DEEP mode-11	INK mode-12	WALNUT mode-walnut		

modeacoustic.com | 800.222.1028 | hello@modeacoustic.com

Special Order

SUNFLOWER	SWEET PEA	GREEN BEAN	70'S DARK WASH	80'S ACID WASH	90'S FADED
TANGERINE	CAPPUCCINO	LATTÉ	SALT & PEP	MARBLE	SNOW
ESPRESSO	ENZO	CHARCOAL	SHADOW		